

# DRY TYPE TRANSFORMER SPECIFICATION

## TRANSFORMER SPECIFICATION

RATING	15kVA
COOLING	ANC
TEMPERATURE RISE	130°C
PHASES	1
FREQUENCY	60Hz
K-FACTOR	1

	PRIMARY	SECONDARY
VOLTAGE	480V	120/240V
TAPS - FCAN	2 x 2.5%	-
TAPS - FCBN	2 x 2.5%	-
BIL	10kV	10kV

CONDUCTOR	ALUMINUM
WINDINGS	ENCAPSULATED
INSULATION CLASS	200°C
IMPEDANCE (@ 150°C)	2.0 - 3.0%
MIN EFFICIENCY	N/A
AVG. SOUND LEVEL	50dBA
ELECTROSTATIC SHIELD	NONE
EST. WEIGHT	300 lbs [136kg]

## TERMINALS AND CABLE LUGS

	PRIMARY	SECONDARY
LOCATION	FRONT	FRONT
LINE LUGS (/PH)	1 OF 2-14 AWG	1 OF 2-14 AWG
NEUTRAL LUGS	N/A	N/A
GROUND LUG	2-14 AWG LUG ON ENCLOSURE BASE	

## WIRING / CONNECTIONS

PRIMARY: H1-H2		
VOLTAGE	% TAP	JUMPERS TO:
504	105.0%	1-1
492	102.5%	2-2
480	100.0%	3-3
468	97.5%	4-4
456	95.0%	5-5

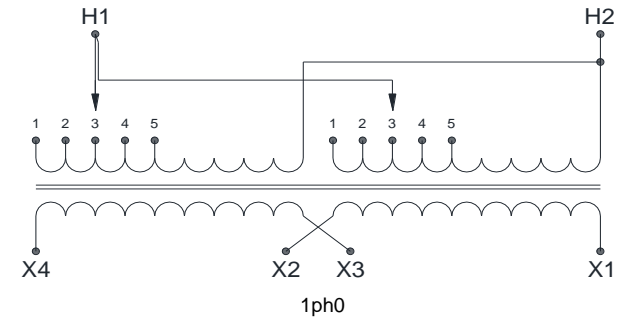
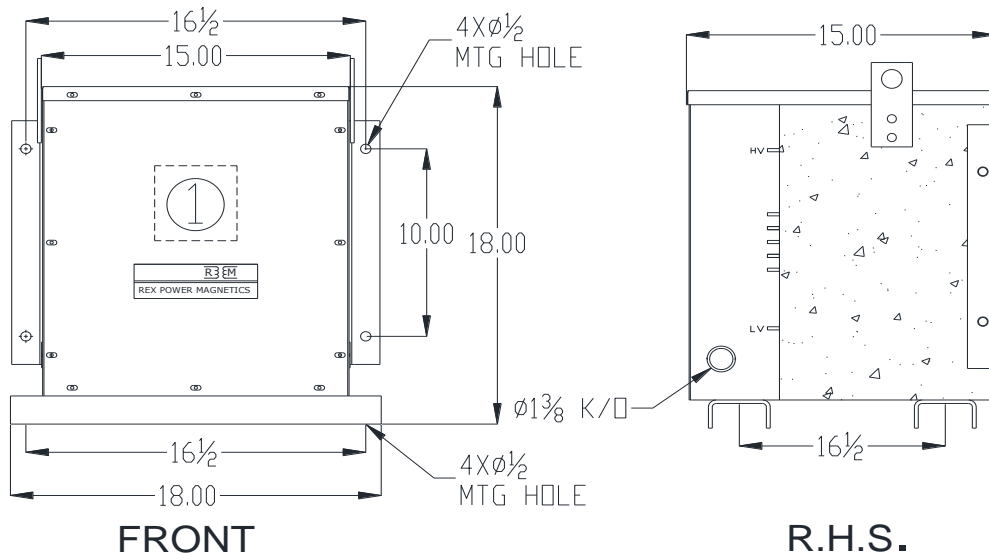
  

SECONDARY: X1-X2-X3-X4		
VOLTAGE	INTERCONNECT	CONNECT LOAD TO
240	X2 to X3	X1-X4
120	X1 to X3 & X2 to X4	X1/X3 - X2/X4
240/120	X2 to X3	X1-X2-X4 (X2 is a neutral)

## FEATURES

- LUG FOR EARTH GROUNDING PROVIDED
- SEISMIC RATED FOR USA ZONE 4 AND CANADA ZONE 6
- CSA CERTIFIED (FILE # LR34493)
- UL LISTED (FILE # E108255)
- ISO 9001 QUALITY MANAGEMENT SYSTEM

1) Location of nameplate and labels



## ENCLOSURE

ENCLOSURE PART #	E3R-1PEP-5
ENCLOSURE RATING	TYPE 3R (INDOOR/OUTDOOR)
CONSTRUCTION	NON-VENTILATED
MATERIAL	STEEL
FINISH	POLYESTER POWDER COAT
COLOR	ANSI/ASA 61 (GREY)
MOUNTING	FLOOR / WALL

\*FOR PROPER VENTILATION FOR FLOOR INSTALLATION KEEP AT LEAST 6 INCHES FROM ADJACENT WALLS

REV	REMARKS	BY	DATE	PRELIMINARY DRAWING	PRODUCT	ENCAPSULATED TRANSFORMER
				THIS DRAWING MAY NOT TRULY REFLECT OUR FINAL DESIGN. ANY ORDER(S) MUST BE ACCOMPANIED BY OR REFER TO THIS DRAWING. REX POWER MAGNETICS RESERVES THE RIGHT TO CHANGE OR REVISE THESE SPECIFICATIONS WITHOUT NOTICE	MODEL / CAT No.	SA15H-K/EP
					CUSTOMER	-
					PO #	-
					SWO #	- QTY -
					Prepared By	C.G. Date 8/27/2020
					Approved By	Date -

