

DRY TYPE TRANSFORMER SPECIFICATION

TRANSFORMER SPECIFICATION

RATING	100kVA
COOLING	ANN
TEMPERATURE RISE	150°C
PHASES	1
FREQUENCY	60Hz
K-FACTOR	1

	PRIMARY	SECONDARY
VOLTAGE	480V	120/240V
TAPS - FCAN	2 x 2.5%	-
TAPS - FCBN	2 x 2.5%	-
BIL	10kV	10kV

CONDUCTOR	ALUMINUM
WINDINGS	POLYESTER RESIN DIPPED
INSULATION CLASS	220°C
IMPEDANCE (@ 170°C)	3.5% - 5.0%
MIN EFFICIENCY	98.6% @ 35% LOAD, 75°C
AVG. SOUND LEVEL	50dBA
ELECTROSTATIC SHIELD	NONE
EST. WEIGHT	655 lbs [298kg]

TERMINALS AND CABLE LUGS

	PRIMARY	SECONDARY
LOCATION	FRONT	FRONT
LINE LUGS (/PH)	1 OF 300 MCM-6 AWG	2 OF 600 MCM-2 AWG
NEUTRAL LUGS	N/A	N/A
GROUND LUG	300 MCM-6 AWG LUG ON ENCLOSURE BASE	

WIRING / CONNECTIONS

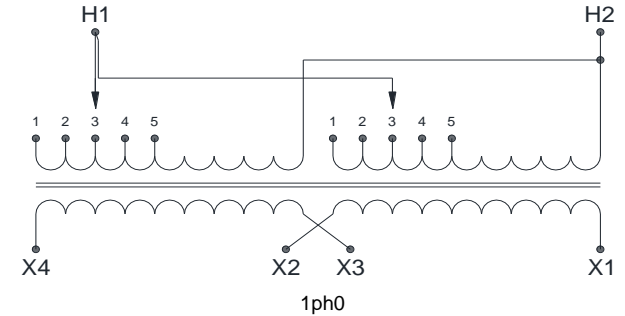
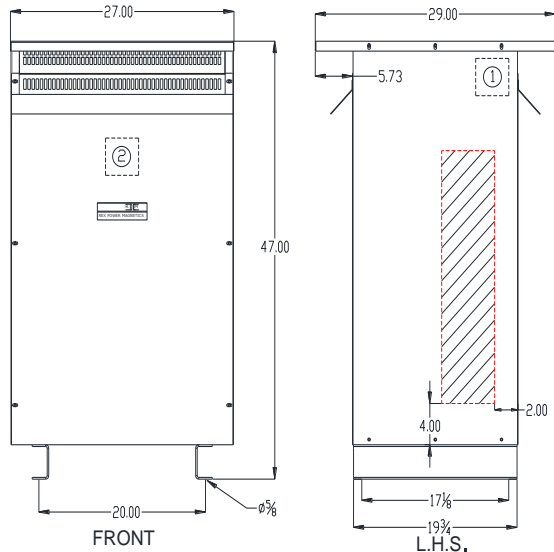
PRIMARY: H1-H2		
VOLTAGE	% TAP	JUMPERS TO:
504	105.0%	1-1
492	102.5%	2-2
480	100.0%	3-3
468	97.5%	4-4
456	95.0%	5-5

SECONDARY: X1-X2-X3-X4		
VOLTAGE	INTERCONNECT	CONNECT LOAD TO
240	X2 to X3	X1-X4
120	X1 to X3 & X2 to X4	X1/X3 - X2/X4
240/120	X2 to X3	X1-X2-X4 (X2 is a neutral)

FEATURES

- NEOPRENE ANTI-VIBRATION PADS INSTALLED BETWEEN CORE & COIL AND ENCLOSURE BASE
- LUG FOR EARTH GROUNDING PROVIDED
- SEISMIC RATED FOR USA ZONE 4 AND CANADA ZONE 6
- CSA CERTIFIED (FILE # LR34493)
- UL LISTED (FILE # E108255)
- ISO 9001 QUALITY MANAGEMENT SYSTEM
- EFFICIENCY MEETS OR EXCEEDS:
 - CANADA: SOR/DORS/2018-201 (NRCAN 2019)
 - CSA: CSA C802.2-18
 - USA: DOE 10 CFR PART 431:2016-01 (DOE 2016)

1) Location of nameplate and labels for Canada
 2) Location of nameplate and labels for USA
 *Recommended area for side cable entry (5"x35") on either side



ENCLOSURE

ENCLOSURE PART #	E3R-8S
ENCLOSURE RATING	TYPE 3R (INDOOR)*
CONSTRUCTION	VENTILATED
MATERIAL	STEEL
FINISH	POLYESTER POWDER COAT
COLOR	ANSI/ASA 61 (GREY)
MOUNTING	FLOOR

*SPRINKLERPROOF WHEN THE ANGLE BETWEEN SPRINKLER HEADS AND OPENING IN THE ENCLOSURE DOES NOT EXCEED 45 DEGREE FROM THE VERTICAL.

*FOR PROPER VENTILATION FOR FLOOR INSTALLATION KEEP AT LEAST 6 INCHES FROM ADJACENT WALLS

REV	REMARKS	BY	DATE	PRELIMINARY DRAWING	PRODUCT	GENERAL PURPOSE ISOLATION TRANSFORMER
				THIS DRAWING MAY NOT TRULY REFLECT OUR FINAL DESIGN. ANY ORDER(S) MUST BE ACCOMPANIED BY OR REFER TO THIS DRAWING. REX POWER MAGNETICS RESERVES THE RIGHT TO CHANGE OR REVISE THESE SPECIFICATIONS WITHOUT NOTICE	MODEL / CAT No.	SA100H-K/Z3
					CUSTOMER	-
					PO #	-
					SWO #	- QTY -
					Prepared By	C.G. Date 9/16/2020
					Approved By	Date -

