



REX POWER MAGNETICS

A DIVISION OF TRANSFACTOR INDUSTRIES INC.
 65 BASALTIC RD, CONCORD, ON, CA L4K 1G4
 TEL: 905-695-8844 • FAX: 905-695-8855
 WWW.REXPOWERMAGNETICS.COM

TRANSFORMER SPECIFICATION

- 3 Phase Auto
- Dry Type
- ANN -Self cooled

Purchaser: TBA
 PO#: TBA
 SWO#: TBA
 Qty: TBA

Coils: Copper
 Cat. No.: RC6H-B

kVA: 6
 Primary: 480 Volts
 Secondary: 208 Volts

Frequency: 60 Hz

Insulation Class: 220° C
 Temperature Rise: 150° C
 Impedance: 3.5 - 4.5 %
 Sound Level: 40 dB

Weight: 85 Lbs

Termination	Location	Terminals
Primary:	Front	Terminal Blocks
Secondary:	Front	Terminal Blocks

Ground lug: 2 to 14 AWG
 (@ the base of the enclosure)

Wiring Connection:

Primary:
 Voltage 480
 Connect Lines To:
 H1-H2-H3

Secondary:
 Voltage 208
 Connect Loads To:
 X1-X2-X3

Preliminary Drawing ONLY

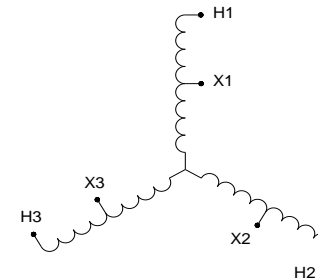
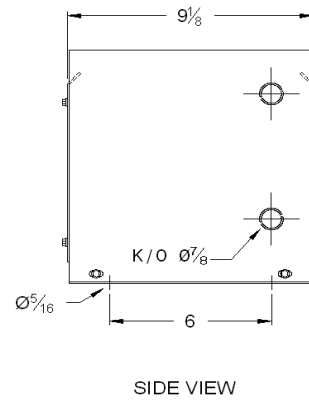
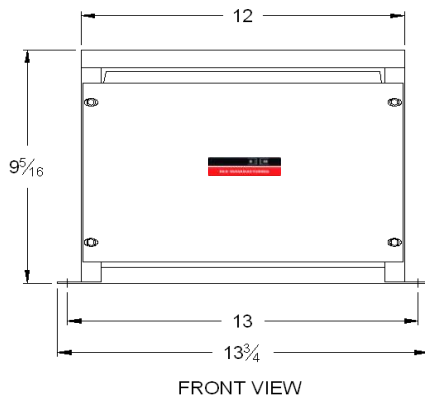
This drawing may NOT truly reflect our final design.
 Any resulting order(s) must be accompanied by or
 refer to this drawing and be marked with any
 proposed changes

Standards:

1. CSA Certified - File No. LR34493
2. UL Listed - File No. E108255

Standard Features:

1. Anti-vibration pads installed between the enclosure base and the core & coil assembly
2. Ground lug provided
3. Seismic rated for USA zone 4 and Canada zone 6



CSA Enclosure:

- Type 1 (NEMA 1)
- Ventilated
- ASA 61 grey
- Floor mounting

Rev.	Remarks	By	Appr. By	Date

Prepared by: AP
 Approved by: VS
 Date: AUG.13, 2013