



REX POWER MAGNETICS

A DIVISION OF TRANSFACTOR INDUSTRIES INC.
 65 BASALTIC RD, CONCORD, ON, CA L4K 1G4
 TEL: 905-695-8844 • FAX: 905-695-8855
 WWW.REXPOWERMAGNETICS.COM

TRANSFORMER SPECIFICATION

- 3 Phase Auto
- Dry Type
- ANN -Self cooled

Purchaser: TBA
 PO#: TBA
 SWO#: TBA
 Qty: TBA

Coils: Copper
 Cat. No.: RC45J-F
 kVA: 45
 Primary: 600 Volts
 Secondary: 380 Volts
 Frequency: 60 Hz
 Insulation Class: 200° C
 Temperature Rise: 130° C
 Weight: 206 Lbs

Termination	Location	Lug Size
Primary:	Front	2-14 AWG
Secondary:	Front	2-14 AWG

Wiring Connection:

Primary:
 Voltage 600
 Connect Lines To: H1-H2-H3

Secondary:
 Voltage 380
 Connect Loads To: X1-X2-X3

Preliminary Drawing ONLY

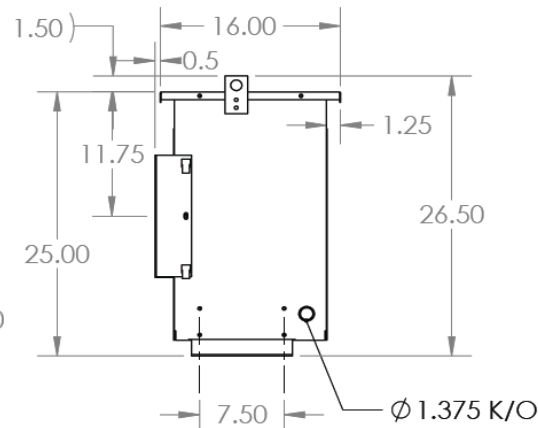
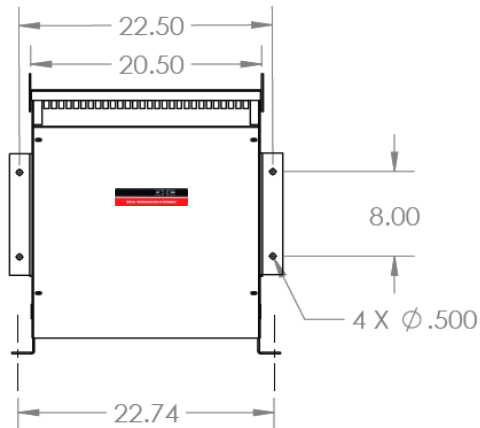
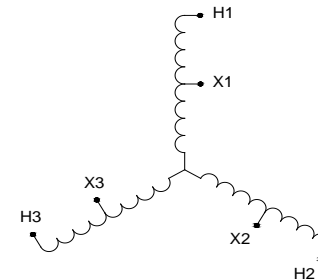
This drawing may NOT truly reflect our final design.
 Any resulting order(s) must be accompanied by or refer to this drawing and be marked with any proposed changes

Standards:

1. CSA Certified
 - File No. LR34493
2. UL Listed
 - File No. E108255

Standard Features:

1. Anti-vibration pads installed between the enclosure base and the core & coil assembly
2. Lug for Earth Grounding provided



CSA Enclosure:

- Type 1 (NEMA 1)
- Ventilated
- ASA 61 grey
- Floor/Wall mounting

Rev.	Remarks	By	Appr. By	Date
1	Enclosure Size Revised	AP	V.S	April 1,2019

Prepared by: AP
 Approved by: VS
 Date: AUG.13, 2013