



**REX POWER MAGNETICS**

A DIVISION OF TRANSFACTOR INDUSTRIES INC.  
 65 BASALTIC RD, CONCORD, ON, CA L4K 1G4  
 TEL: 905-695-8844 • FAX: 905-695-8855  
 WWW.REXPOWERMAGNETICS.COM

**TRANSFORMER SPECIFICATION**

- 3 Phase Auto
- Dry Type
- ANN -Self cooled

Purchaser: TBA  
 PO#: TBA  
 SWO#: TBA  
 Qty: TBA

Coils: Copper  
 Cat. No.: RC15H-B  
  
 kVA: 15  
 Primary: 480 Volts  
 Secondary: 208 Volts  
  
 Frequency: 60 Hz  
  
 Insulation Class: 200° C  
 Temperature Rise: 130° C  
  
 Weight: 130 Lbs

Termination	Location	Lug Size
Primary:	Front	2-14 AWG
Secondary:	Front	2-14 AWG

**Wiring Connection:**

**Primary:**  
 Voltage 480  
 Connect Lines To: H1-H2-H3

**Secondary:**  
 Voltage 208  
 Connect Loads To: X1-X2-X3

**Preliminary Drawing ONLY**

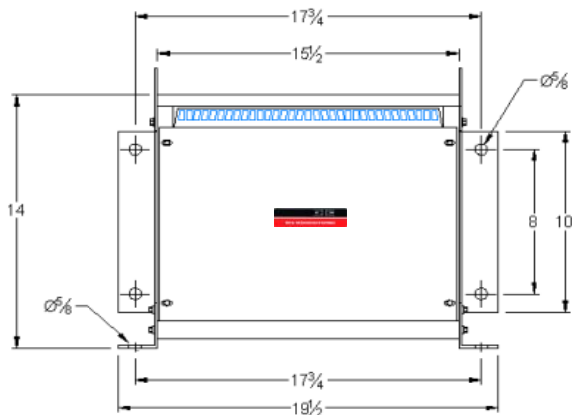
This drawing may NOT truly reflect our final design.  
 Any resulting order(s) must be accompanied by or refer to this drawing and be marked with any proposed changes

**Standards:**

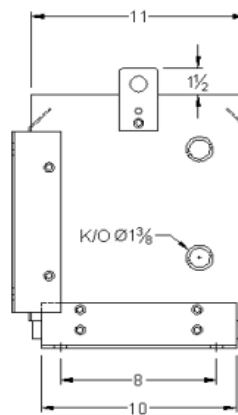
1. CSA Certified  
 - File No. LR34493
2. UL Listed  
 - File No. E108255

**Standard Features:**

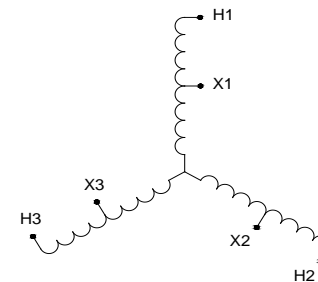
1. Anti-vibration pads installed between the enclosure base and the core & coil assembly
2. Lug for Earth Grounding provided



FRONT VIEW



SIDE VIEW



**CSA Enclosure:**

- Type 1 (NEMA 1)
- Ventilated
- ASA 61 grey
- Floor/Wall mounting

Rev.	Remarks	By	Appr. By	Date

Prepared by: AP  
 Approved by: VS  
 Date: AUG.13, 2013