



REX POWER MAGNETICS

A DIVISION OF TRANSFACTOR INDUSTRIES INC.
65 BASALTIC RD, CONCORD, ON, CA L4K 1G4
TEL: 905-695-8844 • FAX: 905-695-8855
WWW.REXPOWERMAGNETICS.COM

REACTOR SPECIFICATION

- Three Phase Iron Core Reactor
- Dry Type
- ANN -Self cooled

Purchaser: TBA
 PO#: TBA
 SWO#: TBA
 Qty: TBA

Preliminary Drawing ONLY

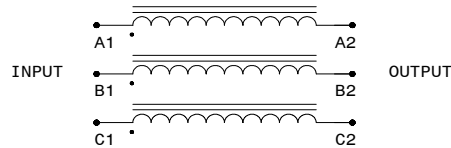
This drawing may NOT truly reflect our final design.
 Any resulting order(s) must be accompanied by or
 refer to this drawing and be marked with any
 proposed changes

Coils: Copper
 Cat. No.: 3PR-0034C3H
 Current: 34 Amps
 Inductance: 0.81 mH
 Inductance Tolerance: -10 to +15 %
 Voltage Class: 600 Volts
 Frequency: 60 Hz
 BIL: 10 kV
 Insulation Class: 180 °C
 Temperature Rise: 115 °C
 Weight: 22.6 Lbs

Windings	Location	Terminations
Input	Front	Terminal Blocks
Output	Front	Terminal Blocks

Wiring Connection:

Input: A1-B1-C1
 Output: A2-B2-C2

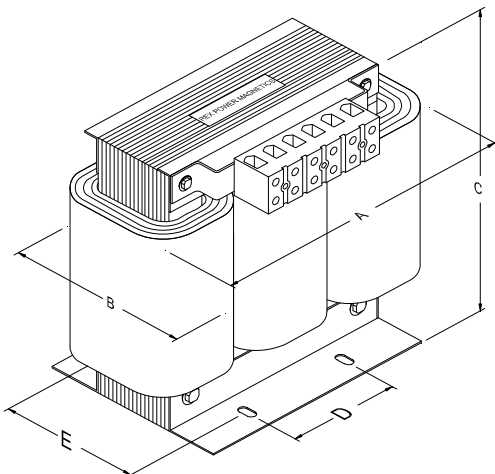


Standards:

- 1)- CSA Certified
- 2)- UL Recognized

Design:

- 1)- Open Construction
- 2)- Indoor Application
- 3)- Floor Mounting



Dimensions:

- A = 7.00"
- B = 5.25"
- C = 6.00"
- D = 3.25"
- E = 3.625"

Rev.	Remarks	By	Appr. By	Date

Prepared by: AP
 Approved by: VS
 Date: MAY 26, 2020