



REX POWER MAGNETICS

A DIVISION OF TRANSFACTOR INDUSTRIES INC.  
65 BASALTIC RD, CONCORD, ON, CA L4K 1G4  
TEL: 905-695-8844 • FAX: 905-695-8855  
WWW.REXPOWERMAGNETICS.COM

### REACTOR SPECIFICATION

- Three Phase Iron Core Reactor
- Dry Type
- ANN -Self cooled

Purchaser: TBA  
 PO#: TBA  
 SWO#: TBA  
 Qty: TBA

## Preliminary Drawing ONLY

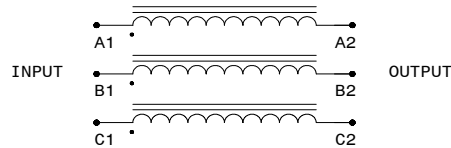
This drawing may NOT truly reflect our final design.  
 Any resulting order(s) must be accompanied by or  
 refer to this drawing and be marked with any  
 proposed changes

Coils: Copper  
 Cat. No.: 3PR-0027C3H  
 Current: 27 Amps  
 Inductance: 1.02 mH  
 Inductance Tolerance: -10 to +15 %  
 Voltage Class: 600 Volts  
 Frequency: 60 Hz  
 BIL: 10 kV  
 Insulation Class: 180 °C  
 Temperature Rise: 115 °C  
 Weight: 18.6 Lbs

Windings	Location	Terminations
Input	Front	Terminal Blocks
Output	Front	Terminal Blocks

#### Wiring Connection:

Input: A1-B1-C1  
 Output: A2-B2-C2

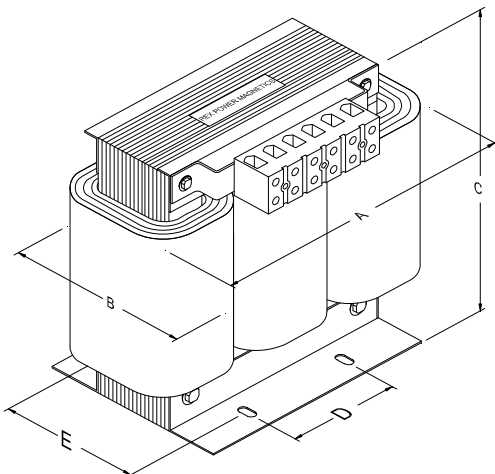


#### Standards:

- 1)- CSA Certified
- 2)- UL Recognized

#### Design:

- 1)- Open Construction
- 2)- Indoor Application
- 3)- Floor Mounting



#### Dimensions:

- A = 7.00"
- B = 4.75"
- C = 6.00"
- D = 3.25"
- E = 3.375"

Rev.	Remarks	By	Appr. By	Date

Prepared by: AP  
 Approved by: VS  
 Date: MAY 26, 2020