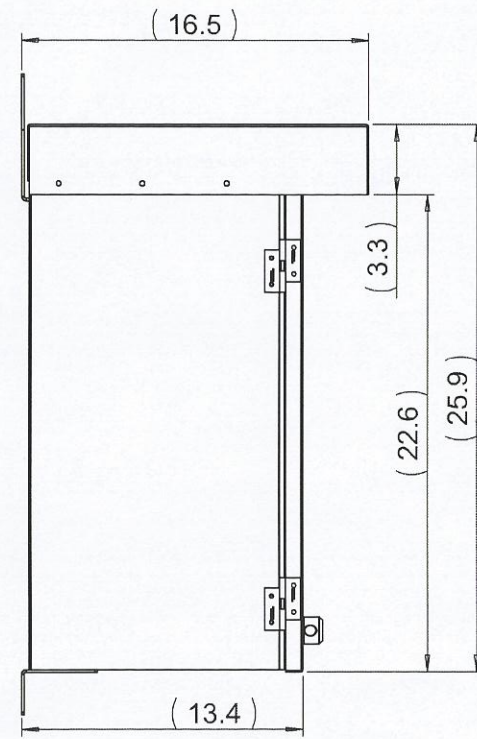
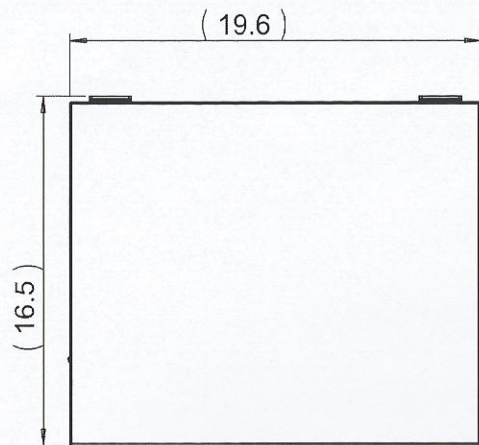
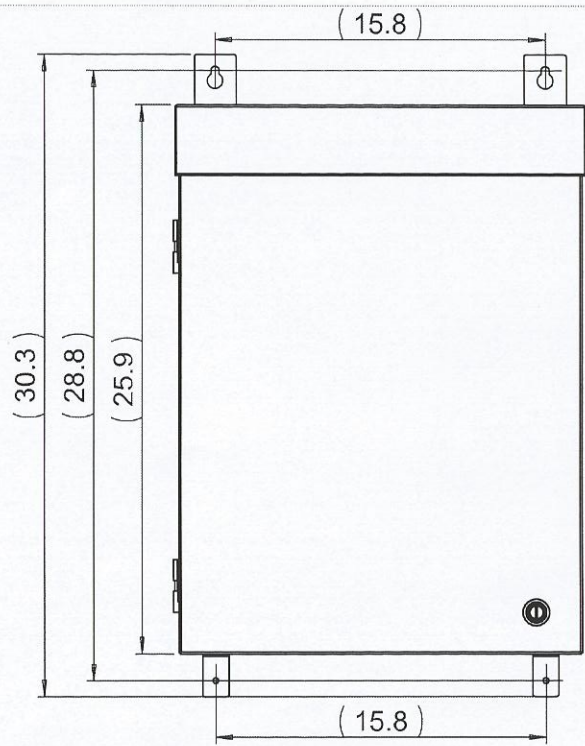


FOR INFORMATION CONTACT ELECTRAM ROTARY EQUIPMENT LTD.



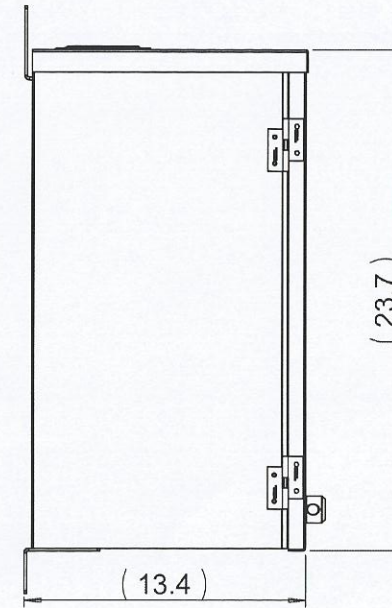
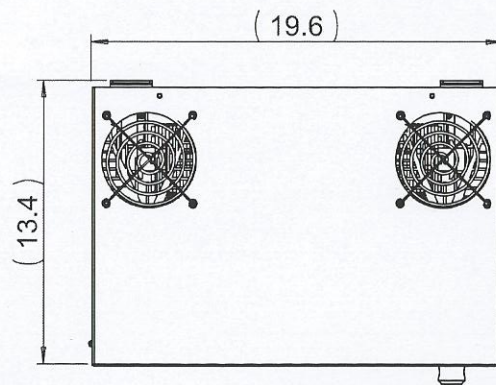
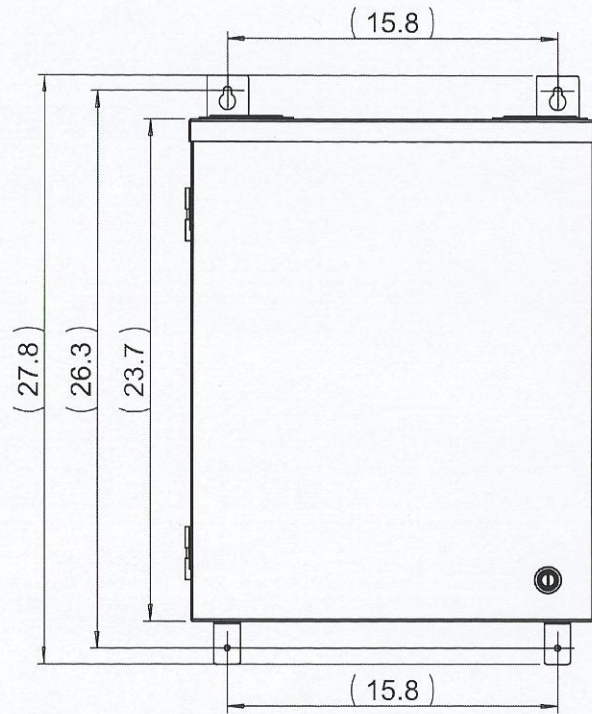
ELECTRAM ROTARY EQUIPMENT LTD.

PH355
V1.2
Outdoor

Date 11/2009

SHEET OF

FOR INFORMATION CONTACT ELECTRAM ROTARY EQUIPMENT LTD.



ELECTRAM ROTARY EQUIPMENT LTD.

PH355
V1.2
Indoor

Date 11/2009

SHEET OF